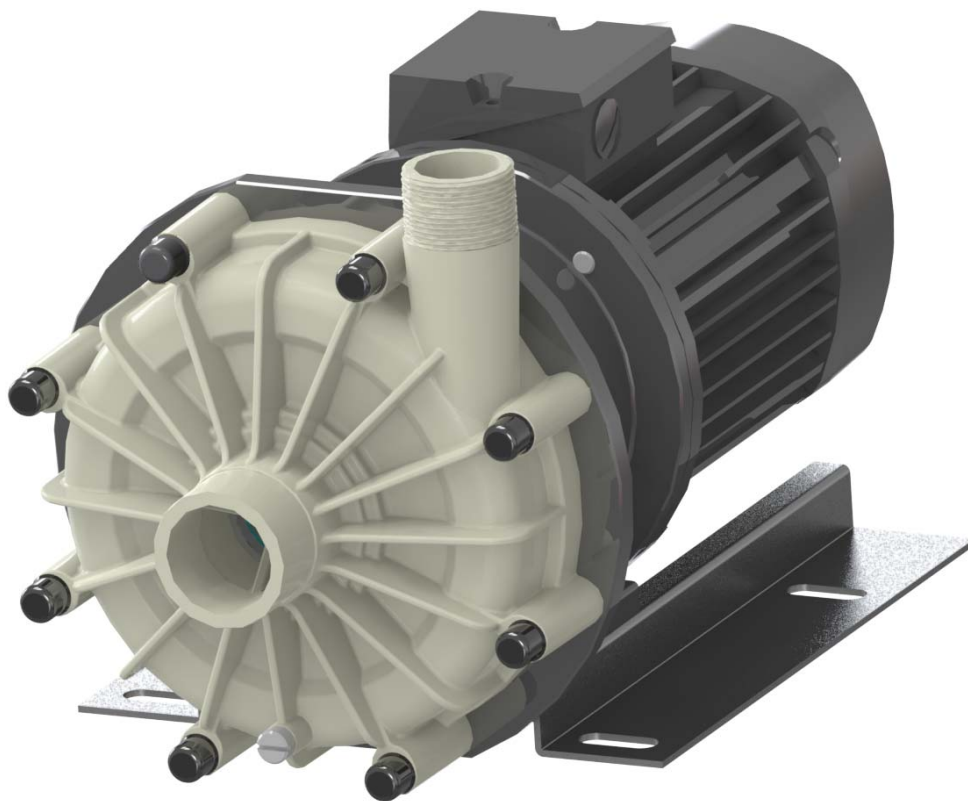


Serie SHM

Magnetic coupled
centrifugal pump SHM



Flow rate:	up to 65 m ³ /h (2900 rpm)
Head:	up to 27 m (2900 rpm)
Drive capacity:	0,18 up to 7,5 kW
Operating temperature:	PP bis 80°C PVDF bis 110°C
Fluid viscosity:	max. 160 mPas (cP)
Fluid density:	up to 1,9 kg/dm ³



Features

- hermetically encapsulated hydraulics and smooth running
- wide performance spectrum of up to 7.5 kW
- powerful magnet system
- compact design
- unfilled PVDF version for high-quality applications
- high availability due to modular design system

Utilisation

- for transportation of neutral, aggressive, crystallizing, ground water contaminating, toxic and/or explosive acids, alkalines or solution mixtures free of solids provided that the components getting in contact with the medium are resistant at operating temperature according to the ASV resistance guide.

Suction

- the pump is not self-priming

Testing

- acc. to DIN EN ISO 9906

Materials

- hydraulic: PP-GF* oder PVDF
- seals: EPDM, FPM, FFKM
- sliding bearing (rotary / static): HD-Carbon/ Al2O3
SSiC/ SSiC
HD-Carbon/ SSiC**
- connecting bolts: stainless steel (1.4301)
- metallic components: corrosion protection by multi coating with high grade 2C protection paint coat

Connection

- SHM 20-15: standard union DIN 8063
- SHM 40-40 bis 65-50: adapter for threaded necks acc. DIN 8063 or
adapter for flange acc. DIN EN 1092 or flange acc. ANSI

Motor (standard version)

- voltage (0,18 - 2,20 kW) 230/400V, 50Hz
- voltage (3,00 - 7,50 kW) 400/690V, 50Hz
- protection type: IP 55
- varnishing: RAL 7016 acid-proof
- suitable for operation on a frequency converter
- PTC (thermistor recommended)

Motor options

- frequency converter
- temperature sensor
- tropical insulation
- forced ventilation
- anti-condensation heating (from 3 kW)
- ATEX zone 2 /zone 22

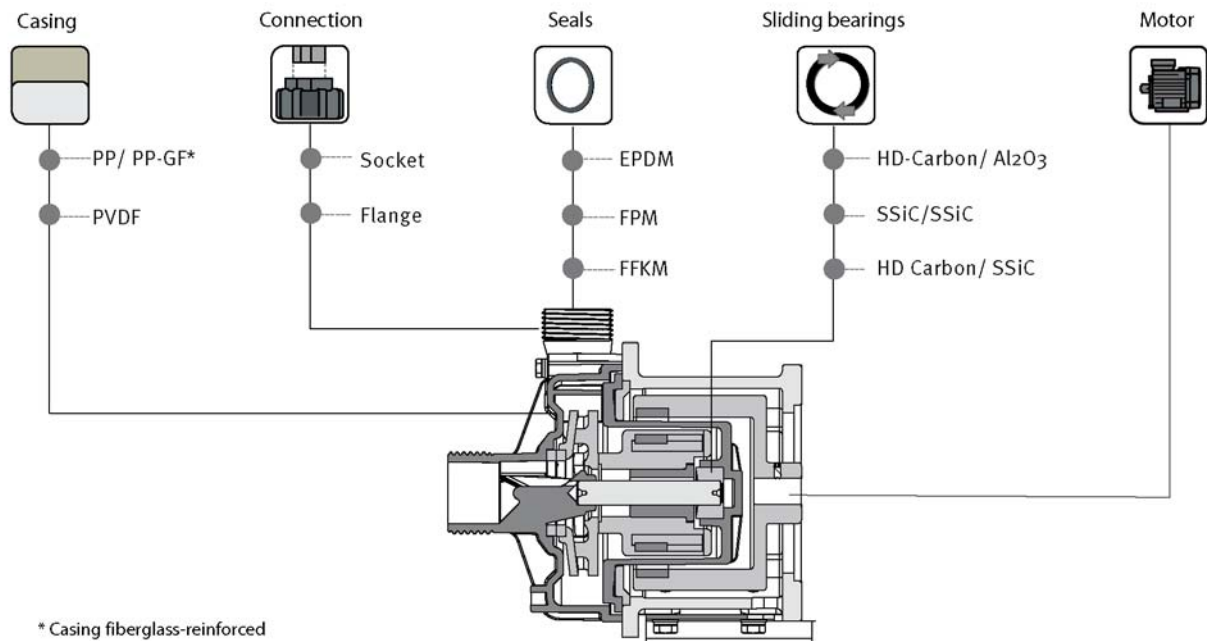
Accessories

- pump guard PTM
- self-priming container






* casing fiberglass-reinforced

** limited dry-running capability

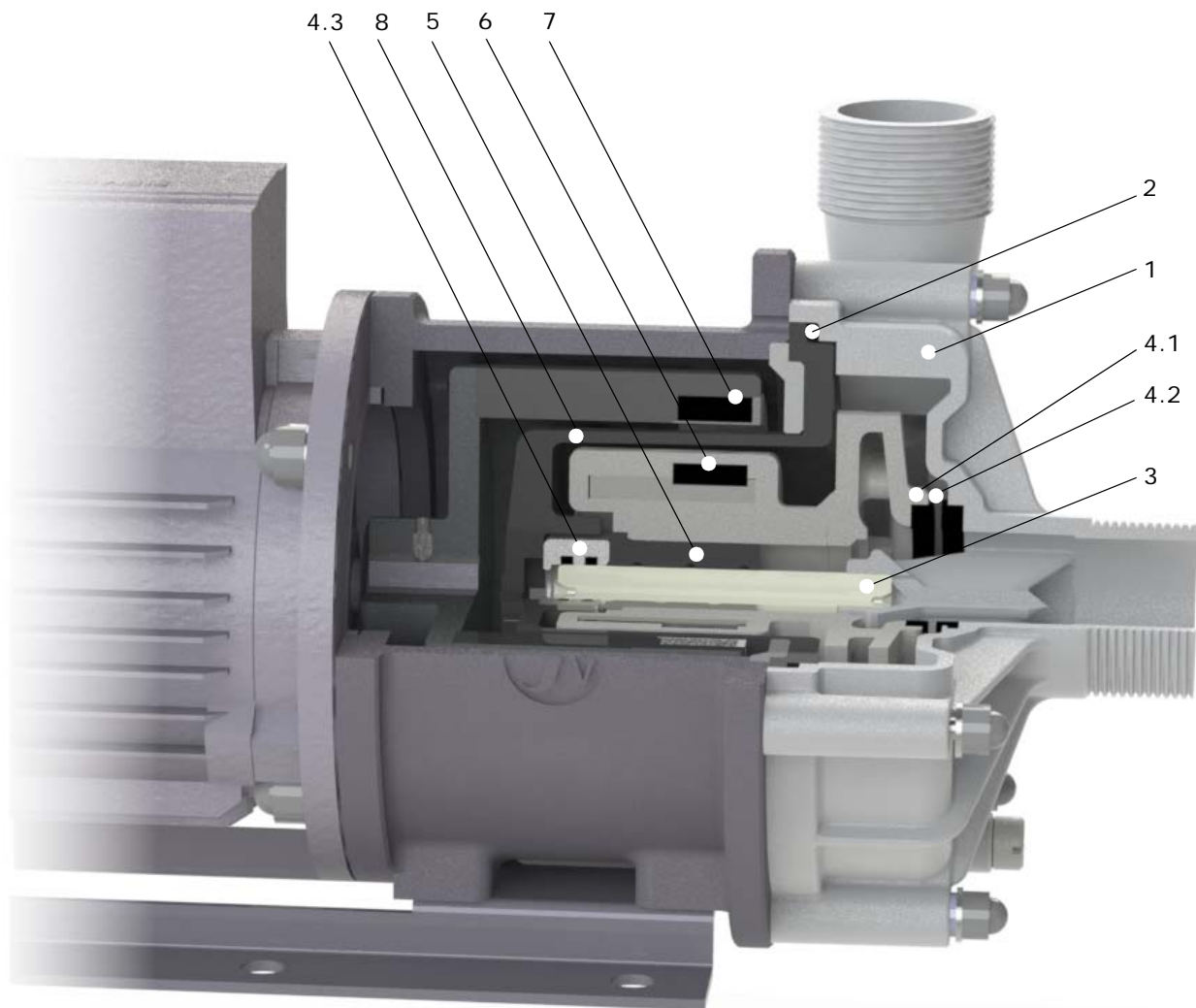
Variants



Variants

Type		20-15	40-40-S	40-40-L	50-40-S	50-40-L	65-50
H_{max} (m)		7	11	16	23	27	27
Q_{max} (m³/h)		3	16	19	27	35	65
Casing							
	PP-PPGF*	•	•	•	•	•	•
	PVDF	•	•	•	•	•	•
Connection							
	threaded necks DIN 8063	•	•	•	•	•	•
	flange DIN EN 1092		•	•	•	•	•
	flange ANSI		•	•	•	•	•
Seals							
	EPDM	•	•	•	•	•	•
	FPM	•	•	•	•	•	•
	FFKM (flange)	•	•	•	•	•	•
	FFKM (threaded necks)	•	•	•	•	•	•
Bearings							
	HD-Carbon/ Al ₂ O ₃	•	•	•	•	•	•
	SSiC/ SSiC	•	•	•	•	•	•
	DH-Carbon/ SSiC	•	•	•	•	•	•
Motor							
	2900 rpm						
	0,18 kW	•					
	0,25 kW	•					
	0,37 kW		•				
	0,55 kW		•				
	0,75 kW			•			
	1,10 kW			•			
	1,50 kW			•	•		
	2,20 kW				•	•	
	3,00 kW				•	•	
	4,00 kW					•	•
	5,50 kW						•
7,50 kW						•	

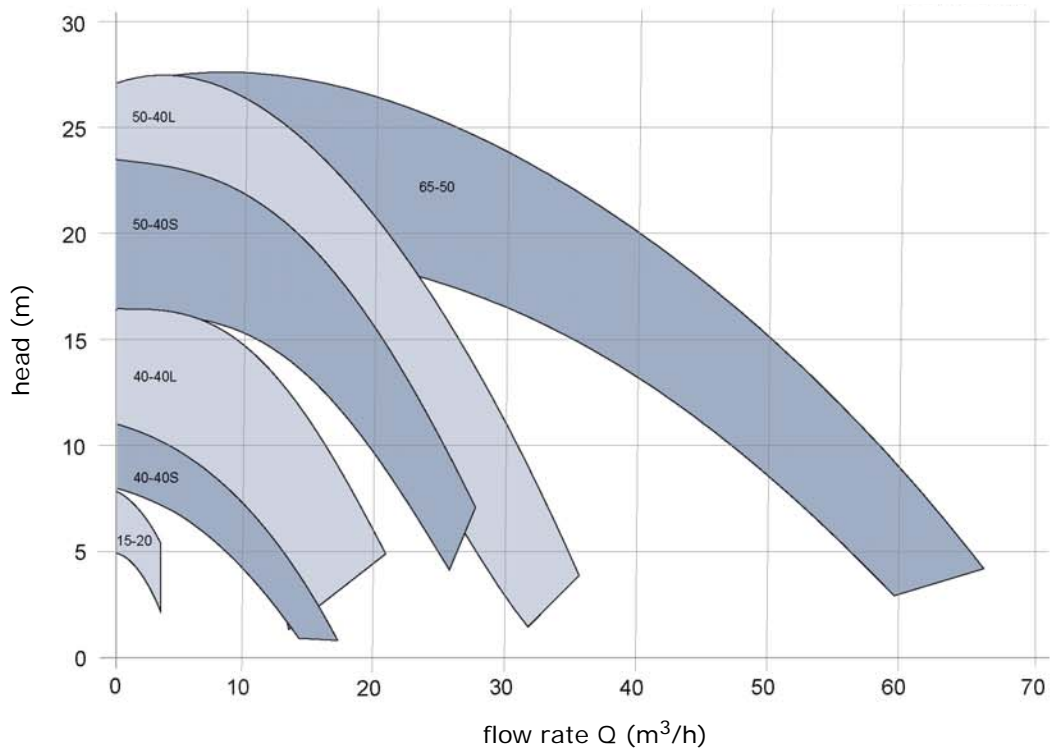
Sectional drawing



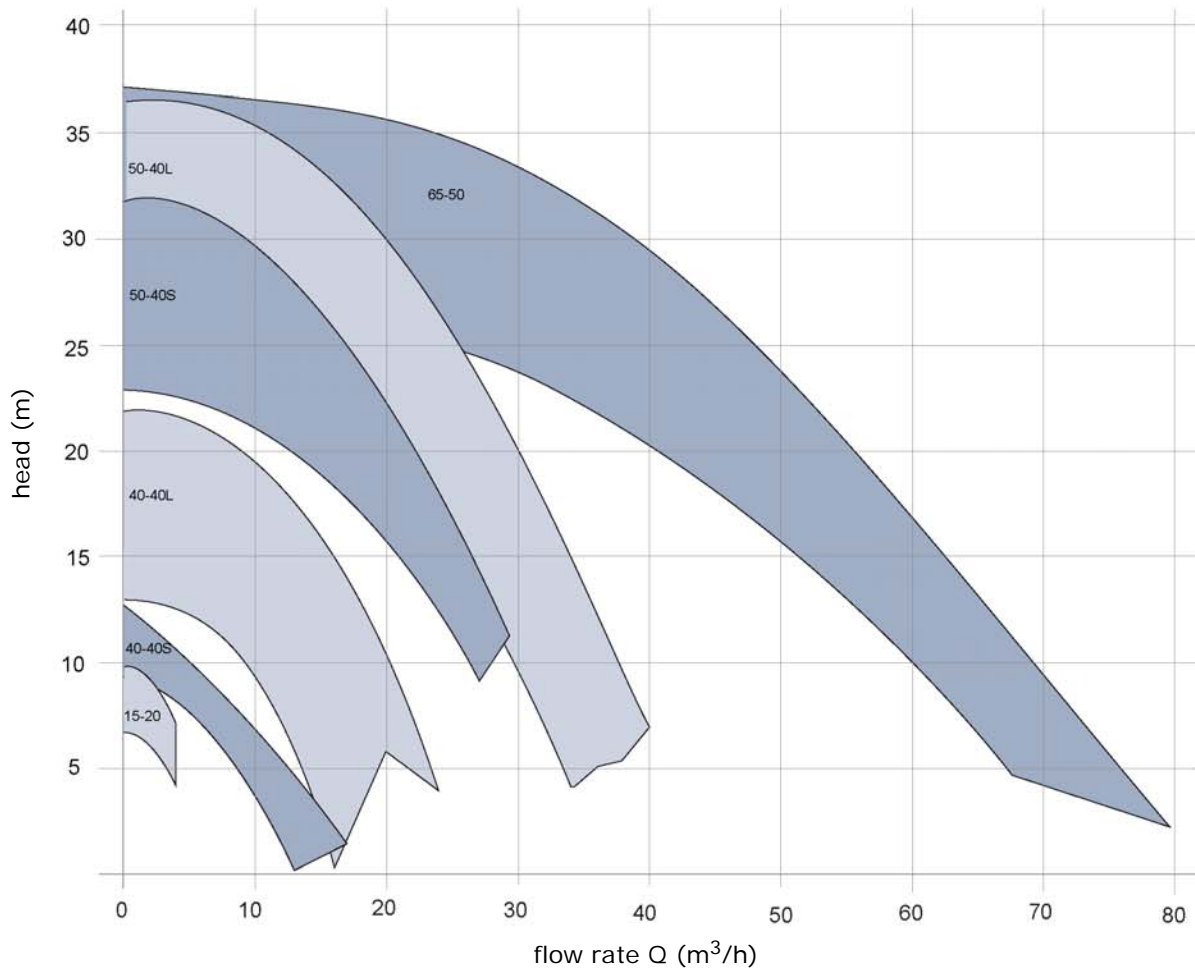
item	designation
1	casing
2	O-ring
3	impeller shaft
4.1	axial bearing (impeller)
4.2	axial bearing (casing)
4.3	axial bearing (rear cover)
5	bearing bush
6	Impeller with magnet
7	motor coupling with magnet
8	rear cover

Performance curves (testing with water)

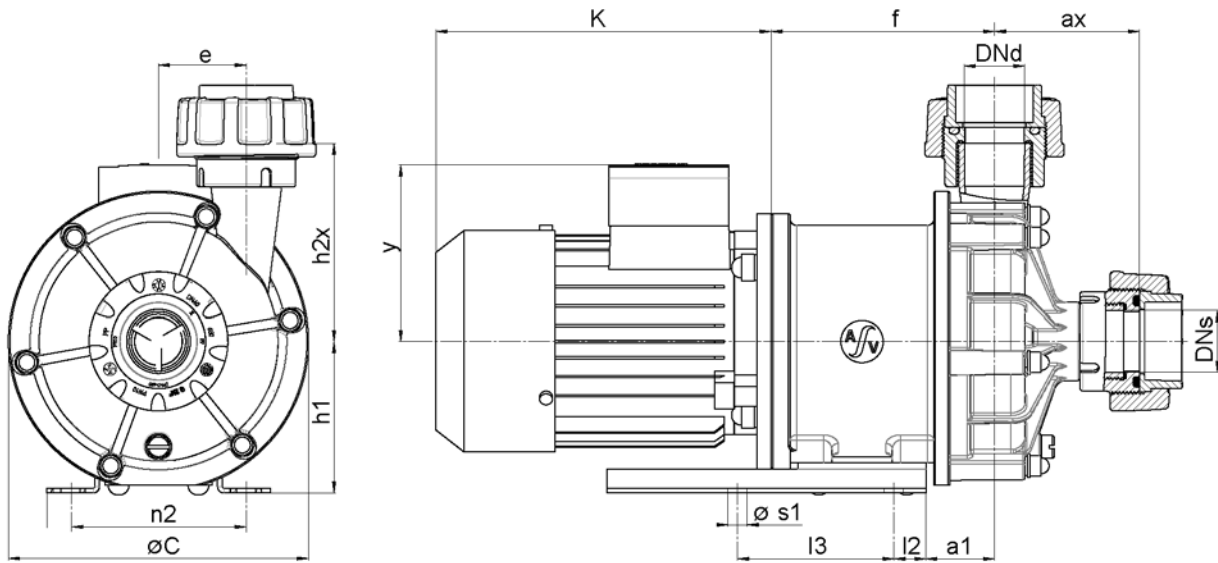
3000 rpm, 50 Hz



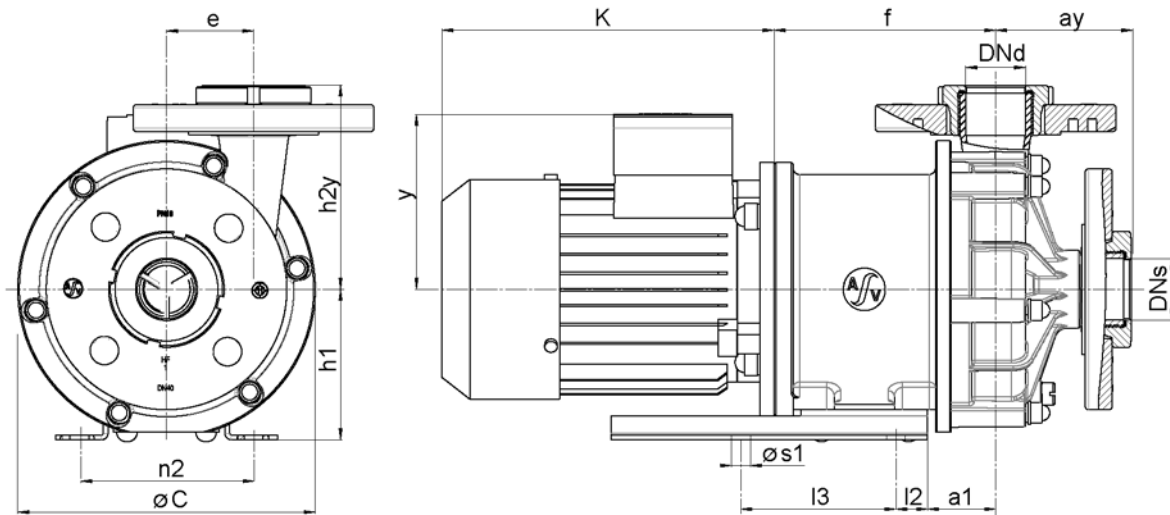
3600 rpm, 60 Hz



Connection: Union end



Connection: flange



Pump dimension

SHM		20-15	40-40-S	40-40-L	50-40-S	50-40-L	65-50
suction side	DNs	20	40	40	50	50	65
	ds	32	50	50	63	63	75
pressure side	DNd	15	40	40	40	40	50
	dd	20	50	50	50	50	63
pump dimensions	ax	55	94	110	96	96	113
	ay	-	89	105	91	91	102
	a1	119	43	45	48	48	52
	e	42	54	72	80	80	80
	h1	63	95	115	120	120	162
	h2x	80	138	147	165	165	181
	h2y	-	133	142	160	160	170
	l2	8	20	36	20	20	30
	l3	80	98	130	200	200	300
	n2	97	122	142	199	199	144
	s1	7	12	12	13	13	13

Motor dimensions

size/ motor		0,18 kW	0,25 kW	0,37 kW	0,55 kW	0,75 kW	1,10 kW	1,50 kW	2,20 kW	3,00 kW	4,00 kW	5,50 kW	7,50 kW
20-15		●	●										
40-40-S				●	●	●							
40-40-L						●	●	●					
50-40-S								●	●	●			
50-40-L									●	●	●		
65-50											●	●	●
motor dimensions	C	130	130	188	188	220	220	259	259	259	259	259	259
	f	87	87	140	140	150	150	162	163	173	173	217	217
	K	179	205	210	210	233	233	281	281	313	333	374	374
	y	101	101	111	111	120	120	128	128	166	177	202	202

Further dimensions see motor data sheet!

