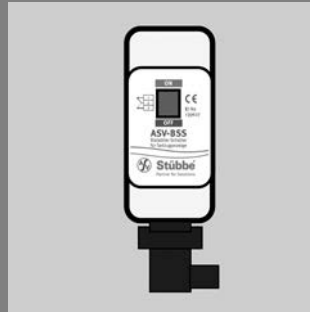


Bistable Switch BSS

for mounting to cable pull or float filling level indicators



Advantage

- as standard with visual position indicator
- low investment costs
- quick and easy installation

Intended Use

- The bistable switch is suitable for cable pull level indication or for float level indication for mounting onto the indicator tube. The ASV BSS changeover contact switches depending on the position of the counterweight.

Typical applications include limit value recording or 2-point control (min./max. control) on containers and tanks.

This product may be exposed to the limit values specified in the "Technical data".

Function

- The BSS changes over and makes contact for as long as the switching condition is fulfilled.

Approval

- CE sign in accordance with the Low Voltage Directive 2006/95/EC and EMC Directive 89/336/EC.

Potentially Explosive Atmospheres

- The limit value signal transmitter according to EN 600079-11 is classified as a simple electrical device without its own ignition source. Therefore it does not fall under the scope of the Directive 94/9/EC (ATEX95).
The use of a buffer amplifier is recommended.

Switching Function

- Micro switch, magnetically actuated

Body

- ABS

Bonnet

- PC

Connector Plug

- according to DIN EN 175301,
can be rotated in increments of 30°

Ambient Temperature

- -20°C ... +80°C

Type Of Protection

- IP 65 with mounted connector plug

Mounting Position

- vertical

Assembly

- The BSS is fastened to the tube of the cable pull filling level indicator at the respective height of the desired switching point using cable ties.

NOTE

When mounting the bi-stable switch please note that the position of the optical display matches with the positioning of the float/counter weight. Otherwise the switch would give a wrong output signal until the first up or down passage of the actuator.

Operating Voltage

- 4 ... 250 V AC
- 30 V DC

Electric Switching Capacity

- 3 A

Connection Cable

- nominal cross-section 1.5 mm²

Maintenance Note

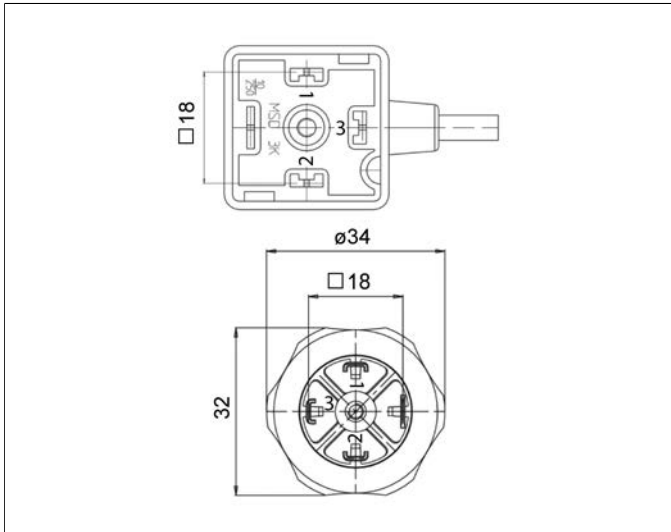
- when used in accordance with its intended use: none

Accessories

- Cable pull level indication
- Float level indication

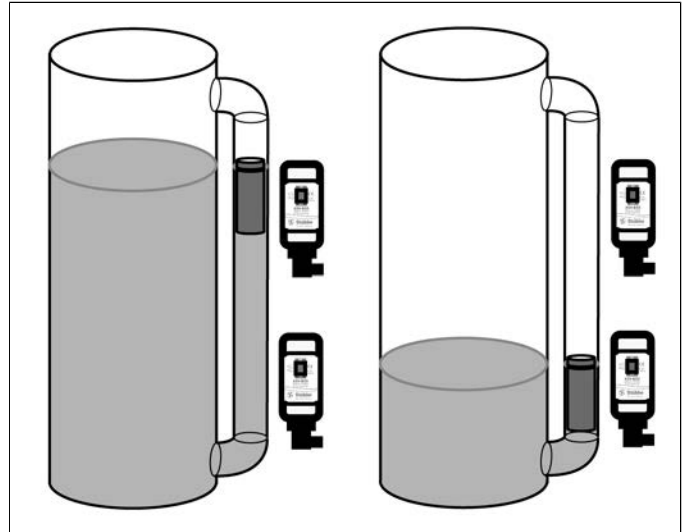
Level measurement, Bistable Switch BSS

Electrical connection

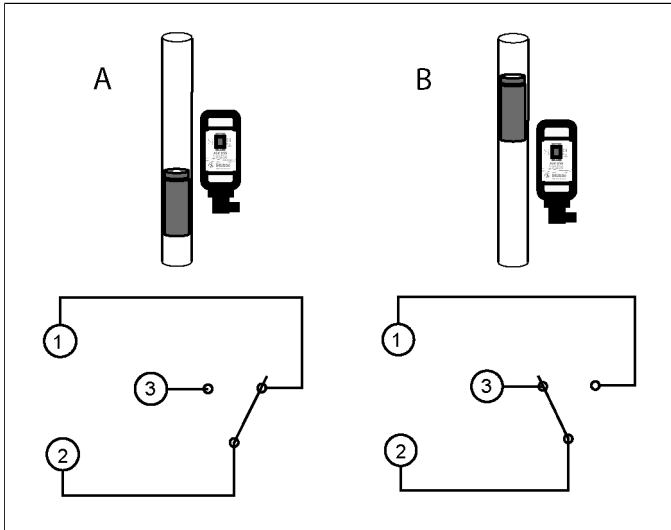


Example for

Float level indication



Wiring diagram

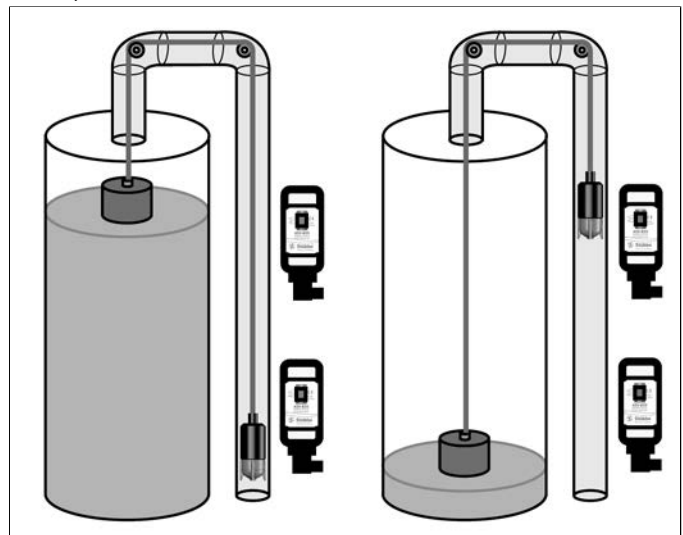


A = indicator orange

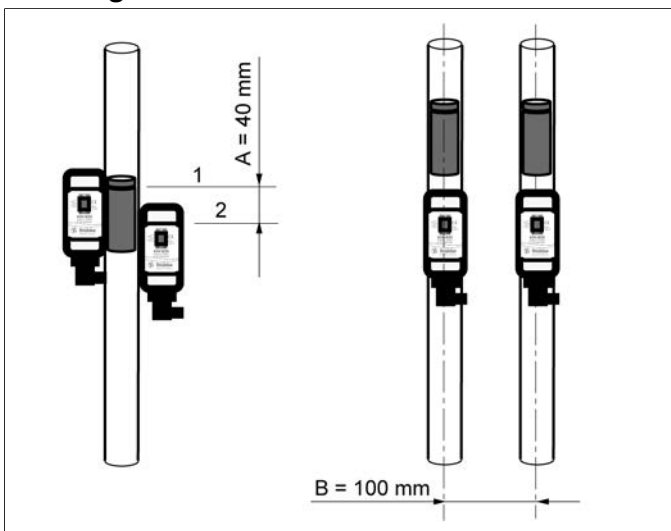
B = indicator black

Example for

Cable pull level indication



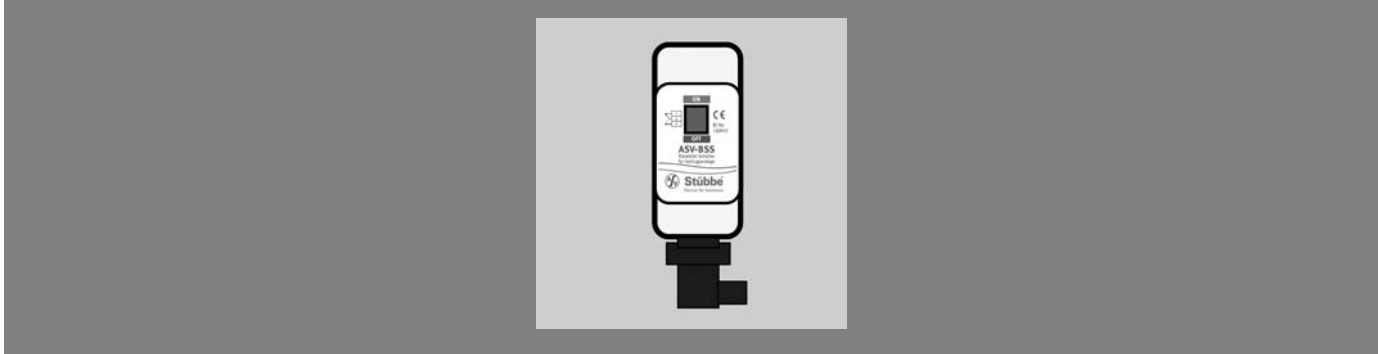
Switching and installation distances



A = Smallest switching interval between two to 120 ° mounted switches

B = Smallest Mounting distance between two parallel mounted switch

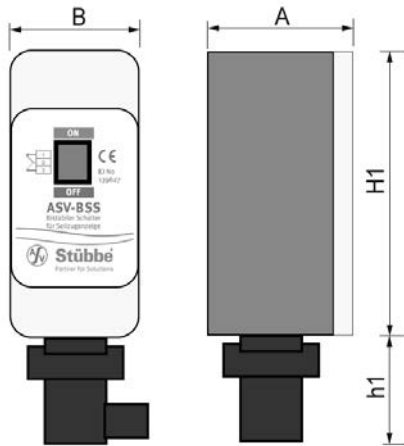
Level measurement, Bistable Switch BSS



body ABS

<i>size</i> <i>pressure range</i>	version		
<i>Connection</i>	<i>sealing</i>	<i>ident No.</i>	
PP cable ties	- <i>weight</i>		139627 0.20 kg

Level measurement, Bistable Switch BSS



dimensions

version		
dimensions(mm)		
	A	50
	B	40
	H1	95
	h1	55