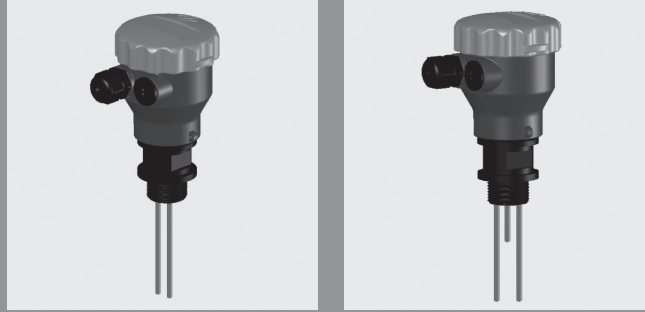


## Conductiv filling level device CFP



### General

- these probes are used for level detection or for the 2-point-regulation of electrically conductive fluids.

### Utilisation

- as a level probe with 2 probes as a minimum or maximum level indicator.
- as a level probe with 3 probes as a 2-point controller.

### Function

- these probes are intended as sensors for the conductive principle; i.e. the electrical conductivity of the fluid to be controlled is used to determine the filling/limit.

### Limits Of Use

- conductive filling level regulations are not suitable for fluids that contain oil or grease or are susceptible to forming electrically insulating sediments. We do not recommend the use of probes for:
  - electrically non-conductive fluids
  - fluids containing larger solid matter particles
  - fluids to which stainless steel (1.4571) is not permanently resistant

### Measure

- filling level

### Power Supply

- 18 ... 30 VDC

### Electronic Housing

- housing: PP-glass fibre reinforced
- cover: PP-glass fibre reinforced
- seal: NBR

### Connection Cable

- cable outside diameter: 7...13 mm
- nominal cross-section: 1,5 mm<sup>2</sup>

### Type Of Protection

- IP 67

### Connection

- G1" screw-in thread
- housing: PE
- seal: EPDM
- alternative with PE-mounting kit

### Measuring Principle

- conductive

### Rod Version

- material: stainless steel (1.4571)
- insulation: partly insulated, polyolefin
- rod lengths: 100, 500 or 1000 mm

### Attention

- rod length to be cut by customer

### Fluid Temperature

- 0 ... +70°C

### Ambient Temperature

- -20 ... +70°C

### Ambient Pressure

- 0,8 ... 1,1 bar

### Relative Humidity

- 20 ... 85%

### Accessories

- PE-mounting kit with PE-pipe clip  $\varnothing 40$ , PE-spacer and PE-angle support (Ident-no. 140727)

### Installation Note

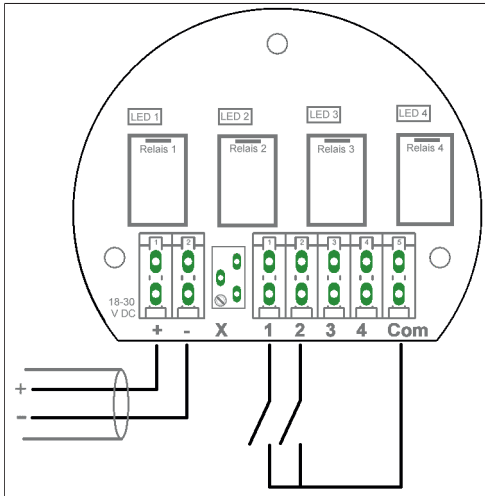
- only mount vertically from above

### Maintenance Note

- when used in accordance with its intended use: none

## Level measurement, Conductiv filling level device CFP

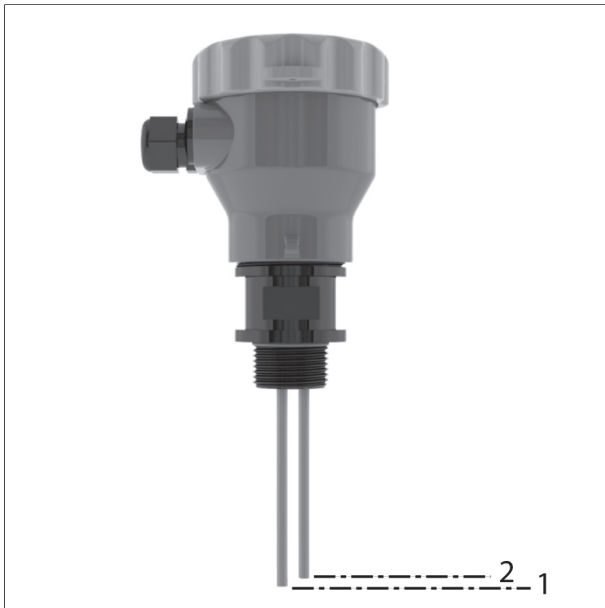
### Electrical connection



- + = Electrical conductor (18 ... 3 VDC)
- = Neutral
- 1 = Relay 1 (NO)
- 2 = Relay 2 (NO)
- 3 = Relay 3 (NO)
- 4 = Relay 4 (NO)
- com = Relay 1-4 (com)
- x = Poti for sensitivity

### Example

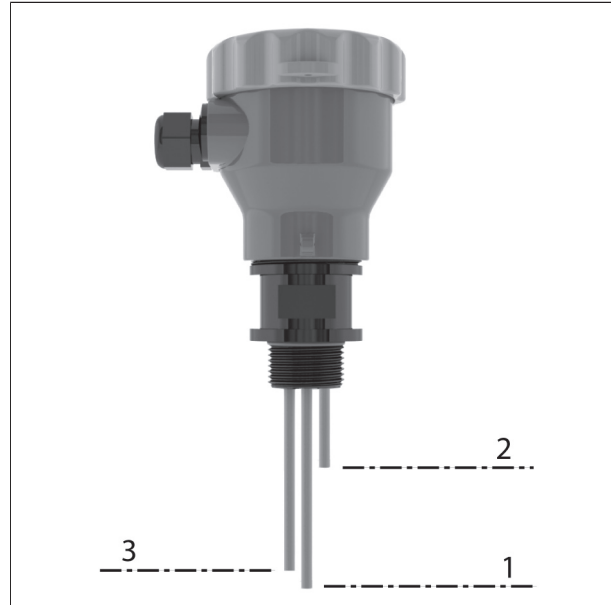
2-rod probe



- 1 = Reference
- 2 = Maximum or Minimum

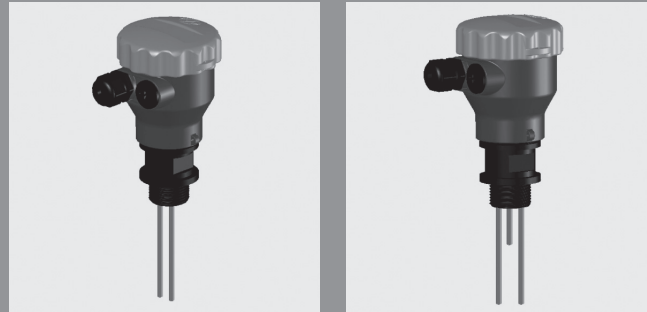
### Example

3-rod probe



- 1 = Reference
- 2 = Maximum
- 3 = Minimum

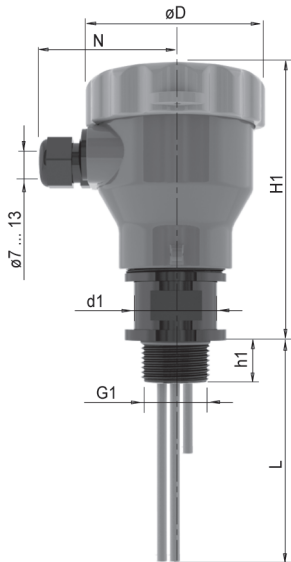
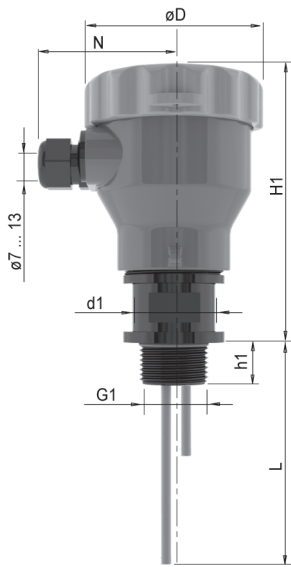
## Level measurement, Conductiv filling level device CFP



### body A4 1.4571

<i>size</i>	L(mm)		100	500	500	1,000	1,000
<i>pressure range</i>	version		2-rod	2-rod	3-rod	2-rod	3-rod
<i>Connection</i>	<i>sealing</i>	<i>ident No.</i>					
PE threaded neck G	EPDM		141935	141936	141938	141937	141939

## Level measurement, Conductiv filling level device CFP



### dimensions

G(inch)	1	1	1	1	1
L(mm)	100	500	500	1,000	1,000
version	2-rod	2-rod	3-rod	2-rod	3-rod
dimensions(mm)					
D	86	86	86	86	86
G	1	1	1	1	1
d1	40	40	40	40	40
H1	130	130	130	130	130
h1	20	20	20	20	20
L	100	500	500	1000	1000
N	66	66	66	66	66